

# 0-10V Dimmable LED Driver

## 12V/24V



A stand-alone 0/1-10V driver that can dim your 12/24V Rosco LED lighting product through a 0/1-10V or PWM signal. Ideal in combination with a standard 0/1-10V potentiometer, wall dimmer, or a 0-10V enabled control system, this versatile product has either two (24V) or three (12V) built-in channels that can be controlled individually to run up to 180W of power at 12V or 192W at 24V. Manufactured to spec and tested extensively on Rosco's range of LED Products, the driver offers smooth dimming down to .1% and is suitably waterproof with an impressive IP66 rating.

Project:	Type:
Quantity:	Location:



### KEY FEATURES

- Output constant voltage, class 2 multi-channels
- ETL,UL, cUL listed, Class 2, Type HL
- Range: 100-277VAC
- Built-in active PFC function
- Efficiency up to 89%
- Protections: short circuit/overload/ over temperature
- Cooling by free air convection
- Full protection aluminum housing, for dry, damp and wet locations
- Dimming function:
  - 1-10V dimming: 0-10V/1-10V/Potentiometer/ 10V PWM 4 in 1
- PWM output, does not change the color index
- Dimming range: 0-100%
- Suitable for use with Rosco Custom LitePad® and RoscoLED® Tape

### 0-10V Dimmable LED Driver

Item Code	Description
29063505900	0-10V Dimmable LED driver 12V 180W (3*60W)
29063505901	0-10V Dimmable LED driver 24V 192W (2*96W)

# 0-10V Dimmable LED Driver

## 12V/24V



### SPECIFICATIONS

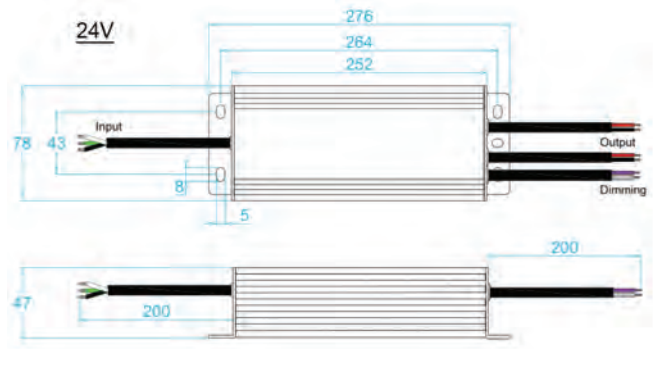
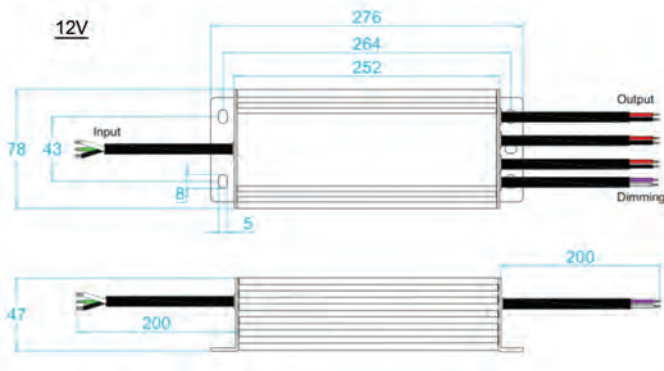
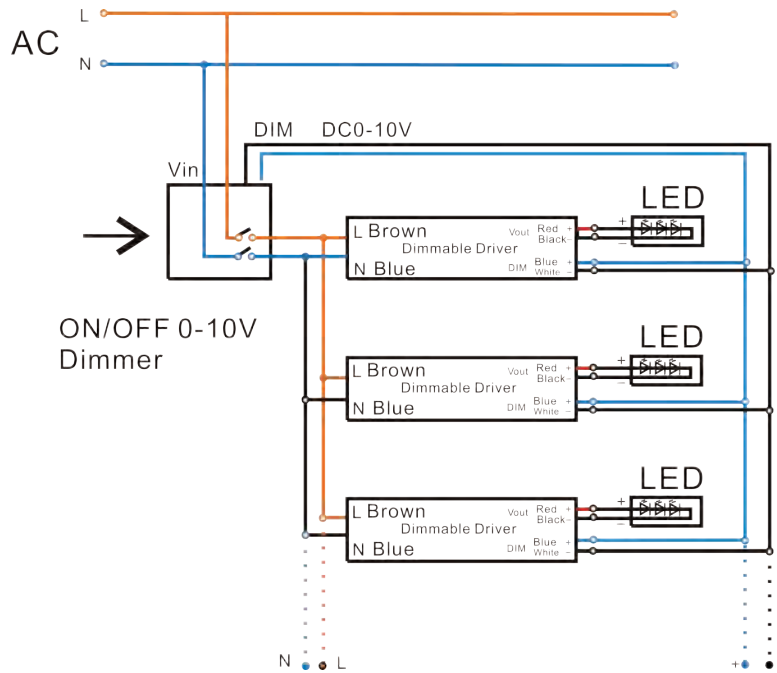
MODEL	290635059000	290635059001
CERTIFICATES	ETL UL	
OUTPUT		
DC Voltage:	12V	24V
Rated Current:	3*5A	2*4A
Rated Power:	180W (3*60W)	192W (2*96W)
Voltage Tolerance:		±0.5V
Voltage Regulation:		±0.5%
Load Regulation:		±1%
INPUT		
Voltage Range:	100-277VAC	
Frequency Range:	47-63Hz	
Power Factor (Typ.) @ full load:	0.99@120VAC 0.94@277VAC	0.99@120VAC 0.94@277VAC
THD(Typ.)@ full load:	<20%	
Efficiency (Typ.)@ full load:	86%@120V 88%@277VAC	87%@120V 89%@277VAC
AC Current (Max.):	2.2A@100VAC	2.3A@100VAC
Inrush Current (Typ.):	19A, 50%, 1.3ms@120VAC	38A, 50%, 960us@277VAC
Leakage Current:	<0.50mA	
PROTECTION		
Short Circuit:	shut down o/p voltage, re-power on to recover after fault condition is removed	
Overloading:	<120% Hiccup mode, recovers automatically after fault condition is removed	
Over Temperature:	212°F±50°F/100°C±10°C shut down o/p voltage, automatically recover after cooling	
ENVIRONMENT		
Working Temp.:	-40~+140°F /-40~+60°C (see Derating Curve)	
Working Humidity:	20~90%RH, non-condensing	
Storage Temp. Humidity:	-40~+176° F/-40~+80°C, 10~95%RH	
Temp. Coefficient:	+0.03%/°F(32~122°F)/+0.03%/°C (0~50°C)	
Vibration:	10~500Hz, 5G 10 min./1 cycle, period for 60 mins. each along X,Y,Z axes	
SAFETY & EMC		
Safety Standards:	UL8750+UL1310	
Withstand Voltage:	I/P-O/P: 1.88KVAC	
Isolation Resistance:	IP-O/P: 100Mn/500VDC/25°C/70%RH	
EMC EMISSION:	FCC 47 CFR Part 15, Subpart B	
OTHERS		
Net Weight:	3.75 lbs./1.7Kg	
Size:	11 x 3 x 1.85 inches/276 x 78 x 47mm (LxWxH)	

# 0-10V Dimmable LED Driver

## 12V/24V



### WIRING DIAGRAMS



### DERATING CURVE

To extend the life of your driver, please refer to the Derating Curve and derate according to the temperature.

