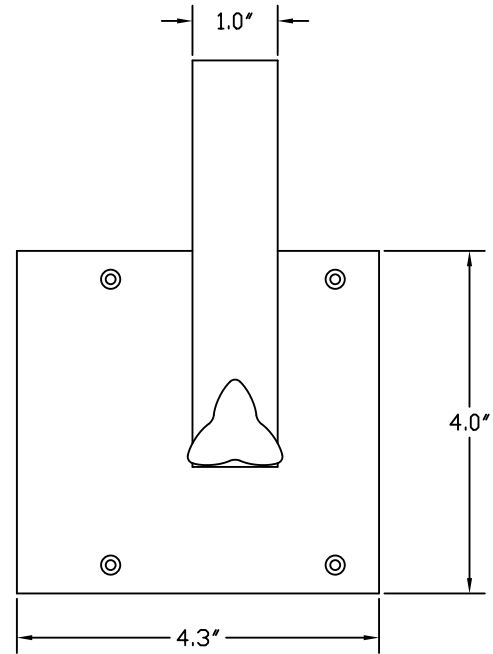
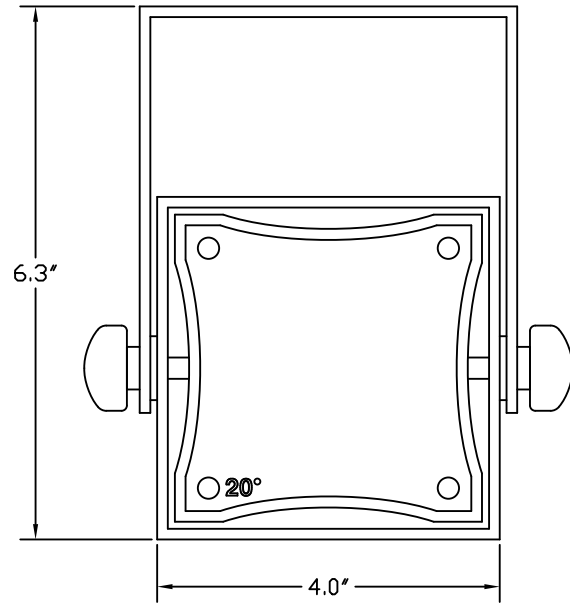
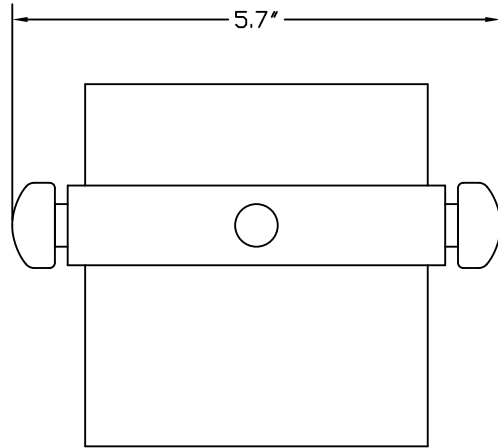



REVISIONS			
REV	DESCRIPTION	DATE	APPROVED



DRAWN BY NA	DATE DRAWN 11/1/2013	 DESIGNED BY THE BLACK TANK		
MATERIAL NA	FINISH NA			MIRO CUBE LED SERIES PROFILE DRAWING
GENERAL TOLERANCES UNLESS OTHERWISE SPECIFIED	.XX .XXX ANG	SIZE A	DWG NO. MIROPRFLE1	REV A
SCALE NA		SHEET 1 OF 1		