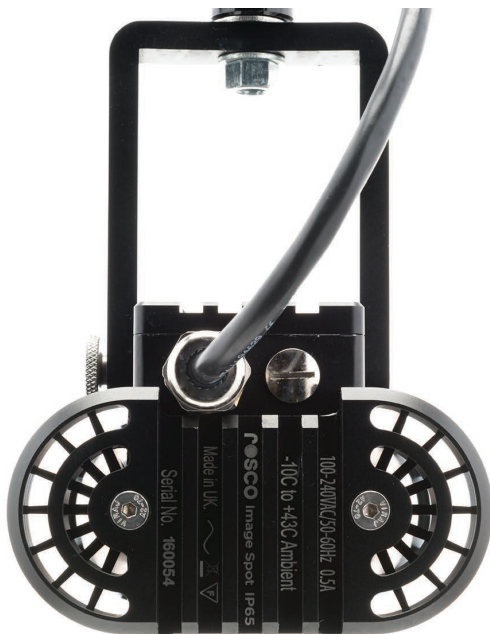


## Brilliant Imaging.

Crystal clear optics allow you to project vivid images and messaging up to 12m (40 ft) away! Using a mere 45W of power, the Image Spot LED projector packs an amazing amount of light output from a versatile and compact design.

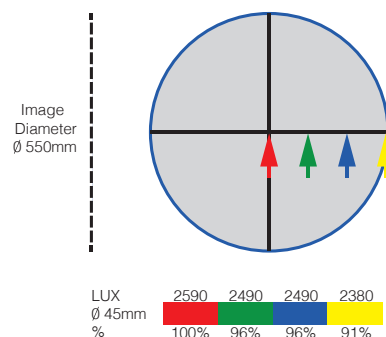
The cool white LEDs ensure bright imaging in virtually any environment, indoor or outdoor. An available filter kit allows the Image Spot to be used to illuminate artwork in museums, hospitality venues and retail displays.



### KEY FEATURES

- 40W LED array with 19°, 25° or 30° beam optics provide superb image uniformity and fringe-free shadows
- IP40 and IP65 versions available for indoor and outdoor use
- Accepts Rosco Image Spot gobos and Permacolor Dichroic Glass Color Filters
- Available OPTI-FLECS filter packs for beam diffusion
- Accepts universal line voltage input allowing operation anywhere around the globe
- On board dimming control
- DMX512 compatibility provides flicker-free dimming throughout the range: 100% ~ 0%
- Passive cooling means operation is completely silent
- Standard Color Options: Black, White and Silver

### Superior Uniformity Across Entire Field



## SPECIFICATIONS

Input Voltage:	100-230VAC
Power Consumption:	45 Watts at maximum output
Output:	3000 lumens
LED Color Temperature:	5500K
Lumen Maintenance:	70,000 hours at 25° C (LM-79-08)
Power Connection:	3 m (10-ft) insulated cable, unterminated
Data:	DMX512 RJ45 Connector (IP40); 2m Cat5e Cable/Gland (IP65)
Operating Temp.:	14° F to 104° F (-10° C to 40° C)
Humidity:	0 - 95% non-condensing
Dimensions: excluding yoke	7.8 in x 4.8 in x 3.2 in (198 mm x 121 mm x 81 mm)
Weight:	5.5 lbs (2.5 kg)
Housing:	Anodized Aluminum Extrusion
Approvals:	ETL / UL Standards #62368-1 and #60950-22 cETL / CSA C22.2 #62368-1 and #6095-22 CE
Ratings:	IP40 (indoor use) or IP65 (outdoor use)

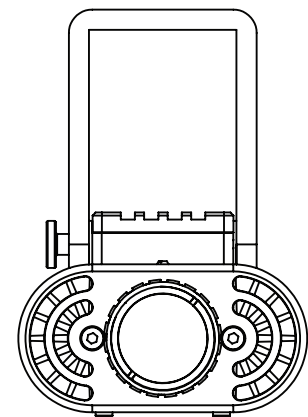
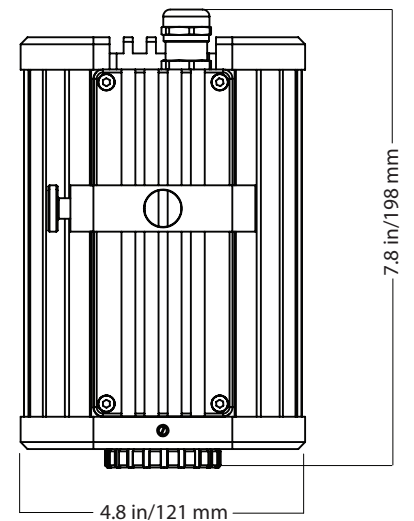
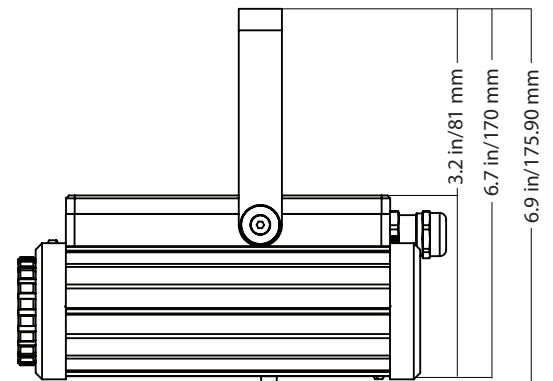


Image Spot Projector™ IP40, with DMX	
Item Code	Description
296000040401	Image Spot - IP40 w/DMX - Black (w/o Lens)
296000040402	Image Spot - IP40 w/DMX - White (w/o Lens)
296000040403	Image Spot - IP40 w/DMX - Silver (w/o Lens)

Image Spot Projector™ IP65, Non-DMX	
Item Code	Description
296000040651	Image Spot - IP65 - Black (w/o Lens)
296000040652	Image Spot - IP65 - White (w/o Lens)
296000040653	Image Spot - IP65 - Silver (w/o Lens)

Image Spot Projector™ IP65, with DMX	
Item Code	Description
296000041651	Image Spot - IP65 w/DMX Cable - Black (w/o Lens)
296000041652	Image Spot - IP65w/DMX Cable - White (w/o Lens)
296000041653	Image Spot - IP65 w/DMX Cable- Silver (w/o Lens)



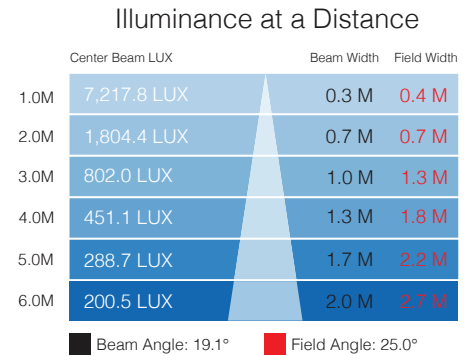
Image Spot Projector™ Lenses	
Item Code	Description
296000010019	Narrow Beam Lens - 19°
296000010025	Medium Beam Lens - 25°
296000010030	Wide Beam Lens - 30°

Image Spot Projector™ Accessories	
Item Code	Description
296000010013	OPTI-FLECS filter pack (3 filters and retaining ring)
296000010011	USB to RS485 Programming Cable, 5.90' (1.80m)
296000010017	USB to RJ45 Programming Cable, 6.6' (2m)
296000010012	Image Spot safety cable, 3' (1m)

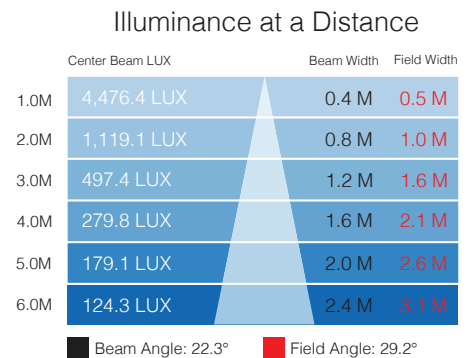
Image Spot Projector™ Gobos	
<b>Standard Gobos</b>	
Item Code	Description
XXXXX-SPOT	Image Spot Standard Gobo, XXXXX = five digit standard gobo number
<b>Custom Gobos</b>	
Item Code	Description
2507210ISPOT	Image Spot Custom Steel Gobo
260CUSWOSPO	Image Spot Custom B&W Glass Gobo
260CUS1COSPO	Image Spot Custom One-Color Glass Gobo
260CUS2COSPO	Image Spot Custom Two-Color Glass Gobo
260CUSMCOSPO	Image Spot Custom Multi-color Glass Gobo

Image Spot Projector™ Permacolor Dichroic Filters	
Item Code	Description
1203-XXXX-SPOT	Image Spot Permacolor Dichroic Glass Filter, XXXX - four digit color number

### Photometric Data for Narrow Beam Lens



### Photometric Data for Medium Beam Lens



### Photometric Data for Wide Beam Lens

