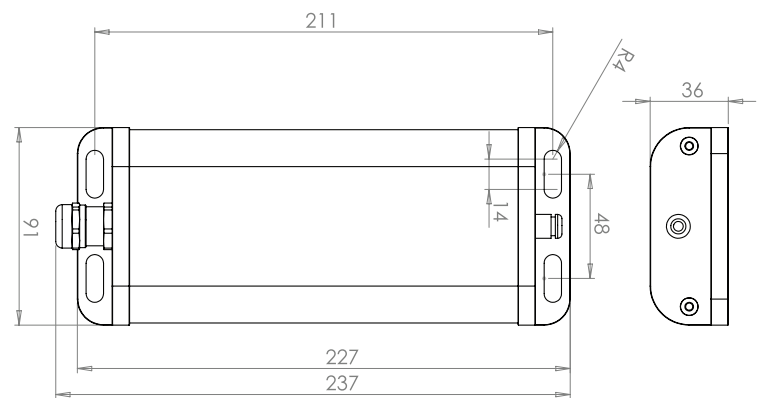


The Rosco Driver Enclosure is a robust, weatherproof enclosure that is ideal for both indoor and outdoor applications. The mounting flange on both sides of the unit allow it to be floor or wall mounted, as well as on any flat surface. The fully gasketed, stainless steel, connection points can offer a firm seal up to IP65. The enclosure material is UV stabilized and comes in a smooth, presentable, matte black finish.



## SPECIFICATIONS

- Enclosure Material: Aluminum
- Cover Glands: Nickel-plated brass
- Sealing: Polyamide / CR Gland
- Sizes: M16 & M8 (in/out)
- Enclosure Color: Matte Black Weight: 1.25 lbs (.56 kg)
- Dimension: 9.3" x 3.6" x 1.4" (237 x 91 x 36 mm )
- Ingress protection: up to IP65
- Impact Resistant: IK08



Driver Enclosure	
Item Code	Description
296210000006	Driver Enclosure

For use with these drivers:	
Item Code	Description
296210036010	36W/1050mA CC 0-10V Dimmable Driver
296210000DMX	36W/1050mA CC DMX-RDM Driver, One Channel
29621000DALI	36W/1050mA CC DALI Dimmable Driver

# Driver Enclosure

## Installation Instructions



1. Remove the end caps by loosening the M4x12 screws using a 3mm Hex wrench.
2. Insert the LED driver into the middle section.
3. An Earth point is available on the inside of the Mains inlet cap. Use a 3mm hex wrench to remove the M3 screw and star washer.
4. Replace the end caps and fix in place using the M4x12 screws making sure that the o-rings are in place to seal the unit.
5. Tighten the M16 cable gland using a 20mm spanner.
6. Tighten the M8 cable gland using an 11mm spanner (recommended 1.3, 0Nm torque).
7. Fix the enclosure in place using M8 socket cap screws using the slots provided.