

## Brilliant Imaging.

Image Spot Mini is an excellent gobo projector for use inside museums, retail stores, themed environments and hospitality venues. Take advantage of the fixture's ultra-compact form factor and highly efficient optics to project gobos up to 26 ft. (8m) away!

Featuring a single, brilliant LED, the Image Spot Mini LED gobo projector delivers up to 1,050 lumens of light. Image Spot Mini is IP65-rated, enabling it to be used indoors and outdoors, and it's available in 3000K warm white, 5500K cool white, and track-mounted models.



### KEY FEATURES

- A single, high-output LED combined with the available 11°, 17° and 25° Lens Optics provide superior field uniformity
- IP65 rating allows indoor or outdoor use
- Accepts Rosco Gobos and Permacolor Dichroic Glass Color Filters sized specifically for the Image Spot Mini
- On board dimming control
- Available control options include Non-Dim, 0-10V, Push to Dim, DALI, or DMX512, providing flicker-free dimming throughout the range: 100% ~ 0%
- Passive cooling for completely silent operation
- Standard Color options: White, Black

## SPECIFICATIONS

### Luminaire

|                            |  |                  |   |
|----------------------------|--|------------------|---|
| Input Voltage:             | 14VDC, 1.0A  | Weight:          | 2.2 lbs (1.0 kg)  |
| Power Input:               | 14 W   | Operating Temp.: | -13° F to 113° F (-25° C to 45° C)                                      |
| Color Temperature Options: | 5500K or 3000K   | IP Rating:       | IP65  |
| Luminous Flux:             | 5500K Model: 400 lumens<br>3000K Model: 300 lumens                                 | Humidity:        | 0 - 95% non-condensing  |
| CRI:                       | 5500K Model: 75+<br>3000K Model: 98+   | Housing:         | Anodized Aluminum Extrusion   |
| Lumen Maintenance:         | 90,000 hours at 50°C (LM80)  | Approvals:       | ETL / UL Standards #2108:2015<br>cETL / CSA C22.2#250.0:2018 Ed.4<br>CE |
| Power/Data Connection:     | 6 ft. (2 m) Insulated Cable/Gland (IP65),<br>unterminated (connector not included) |                  |   |
| Dimensions:                | 5.17 in x 3.5 in x 4.27 in<br>(131.2 mm x 89 mm x 108.55 mm)<br>including yoke     |                  |   |



### Image Spot Mini, 0-10V/PWM/Push Dim 36W

|                |  |               |  |
|----------------|--|---------------|--|
| Power Input:   | 14.7W, 100~277 VAC                     | Power Factor: | >0.95/115Vac, >0.9/230Vac, 0.85/277Vac (full load) |
| Output:        | 1050mA                                 | Efficiency:   | >88%   |
| Dimming:       | 0-10V, Push Dim                        | IP Rating:    | IP44   |
| Dimming Range: | 0~100%<br>(LED start at 0.1% possible) | Class:        | 2  |

Compliant with Safety Extra Low Voltage (SELV) standard.

### Image Spot Mini DMX 512/RDM Driver 36W

|                    |                                     |               |   |
|--------------------|-------------------------------------|---------------|---|
| Power Input:       | 36W, 100~277 VAC                    | Power Factor: | >0.95/115Vac, >0.9/230Vac, >0.85/277Vac |
| Output:            | 10~54Vdc, 200~1200mA                | Efficiency:   | >88%                                    |
| Dimming Interface: | DMX512/RDM, One Channel             | IP Rating:    | IP44                                    |
| Dimming Range:     | 0~100% (LED start at 0.1% possible) | Class:        | 2                                       |

Compliant with Safety Extra Low Voltage (SELV) standard.

### Image Spot Mini DALI Driver 36W

|                    |   |               |   |
|--------------------|---|---------------|---|
| Power Input:       | 36W, 100~277 VAC                          | Power Factor: | >0.95/115Vac, >0.9/230Vac, >0.85/277Vac |
| Output: Dimming    | 10~54Vdc, 200~1200mA                      | Efficiency:   | >88%                                    |
| Interface: Dimming | DALI (bus standard: IEC62386-101,102,207) | IP Rating:    | IP44                                    |
| Range:             | 0~100% (LED start at 0.1% possible)       | Class:        | 2                                       |

Compliant with Safety Extra Low Voltage (SELV) standard.

| Image Spot® Mini Projector |   |
|----------------------------|---|
| Item Code                  | Description   |
| 296200030651               | Image Spot Mini 3000K - IP65 - w/o Lens - Black             |
| 296200030652               | Image Spot Mini 3000K - IP65 - w/o Lens - White             |
| 296200055651               | Image Spot Mini 5500K - IP65 - w/o Lens - Black             |
| 296200055652               | Image Spot Mini 5500K - IP65 - w/o Lens - White             |
| 2962010T3003               | Image Spot Mini 3000K - Track DMX - Black - No Lens         |
| 2962010T3004               | Image Spot Mini 3000K - Track DMX - White - No Lens         |
| 2962010T5501               | Image Spot Mini 5500K - Track 0-10V/Triac - Black - No Lens |
| 2962010T5502               | Image Spot Mini 5500K - Track 0-10V/Triac - White - No Lens |
| 2962010T5503               | Image Spot Mini 5500K - Track DMX - Black - No Lens         |
| 2962010T5504               | Image Spot Mini 5500K - Track DMX - White - No Lens         |

| Image Spot® Mini Projector Lenses |  |
|-----------------------------------|--|
| Item Code                         | Description  |
| 296220000111                      | Image Spot Mini Narrow Angle Lens Optic/11° - Black  |
| 296220000171                      | Image Spot Mini Medium Angle Lens Optic/17° - Black  |
| 296220000251                      | Image Spot Mini Wide Angle Lens Optic/25° - Black    |
| 296220000112                      | Image Spot Mini Narrow Angle Lens Optic/11° - Silver |
| 296220000172                      | Image Spot Mini Medium Angle Lens Optic/17° - Silver |
| 296220000252                      | Image Spot Mini Wide Angle Lens Optic/25° - Silver   |

| Image Spot® Mini Drivers |  |
|--------------------------|--|
| Item Code                | Description                                |
| 296210036010             | 36W /1050mA CC 0-10V Dimmable Driver       |
| 296210000DMX             | 36W / 1050MA cc DMX-RDM Driver,One Channel |
| 29621000DALI             | 36W /1050mA CC DALI Dimmable Driver        |
| 296210000006             | Driver Enclosure Black                     |

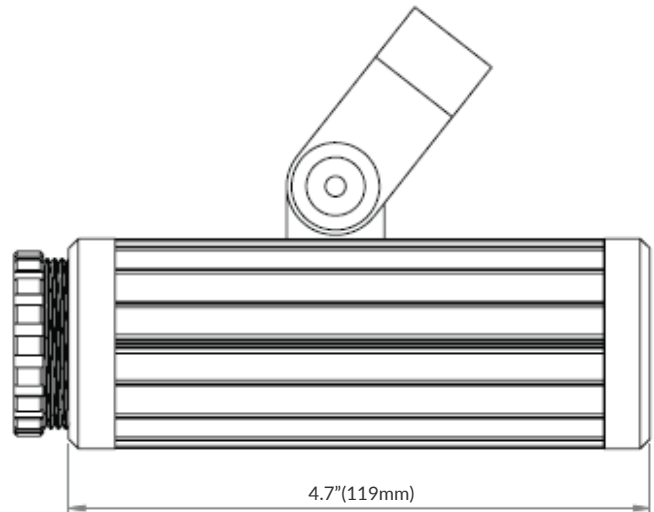
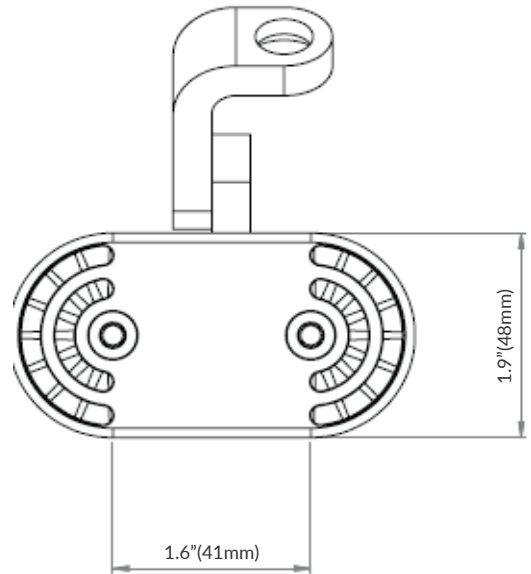
| Image Spot® Mini Accessories |   |
|------------------------------|---|
| Item Code                    | Description                                       |
| 296220000020                 | Image Spot Mini Iris* - Black                     |
| 296220000021                 | Image Spot Mini Iris* - White                     |
| 296220000010                 | Image Spot Mini Framing Shutter Accessory - Black |
| 296220000011                 | Image Spot Mini Framing Shutter Accessory - White |
| 296220000022                 | Image Spot Mini Cable Cover - Black               |
| 296220000023                 | Image Spot Mini Cable Cover - White               |

\*Iris not compatible with gobo

| Image Spot® Mini Gobos<br>(includes bezel to fit inside gobo cassette) |   |
|--|---|
| Item Code  | Description                                   |
| <i>Standard Gobos</i>  |   |
| XXXXX-MINI   | Image Spot Mini Standard Gobo                 |
|  | XXXXX = The five digit standard gobo number   |
| <i>Custom Gobos</i>  |   |
| 25072101MINI   | Image Spot Mini Custom Steel Gobo             |
| 260CUSBWMINI   | Image Spot Mini Custom B&W Glass Gobo         |
| 260CUS1CMINI   | Image Spot Mini Custom One-Color Glass Gobo   |
| 260CUS2CMINI   | Image Spot Mini Custom Two-Color Glass Gobo   |
| 260CUS3CMINI   | Image Spot Mini Custom Three-Color Glass Gobo |
| 260CUSMCMINI   | Image Spot Mini Custom Multi-Color Glass Gobo |

| Image Spot® Mini Permacolor™ Dichroic Filters<br>(includes bezel to fit inside gobo cassette) |  |
|---|--|
| Item Code   | Description                                      |
| 1203-XXXX-MINI  | Image Spot Mini Permacolor Dichroic Glass Filter |
|   | XXXX = The four-digit color number               |

## Standard Mount Diagrams



## Track Mount Diagrams

