

## Brilliant Imaging.

Crystal clear optics provide vivid projections up to 75ft. (22m) away! With 75W of power supplied by an external driver, the Image Spot HO LED projector features an incredible amount of light output from its versatile and compact design.

Image Spot HO is available in warm white (3000K) and cool white (5500K) models, and its multiple mounting options and IP65 rating make it easy to install in any environment.

Four specifiable beam optics make the Image Spot HO the go-to solution for demanding gobo or spotlight applications, including museums, themed environment, and hospitality venues.



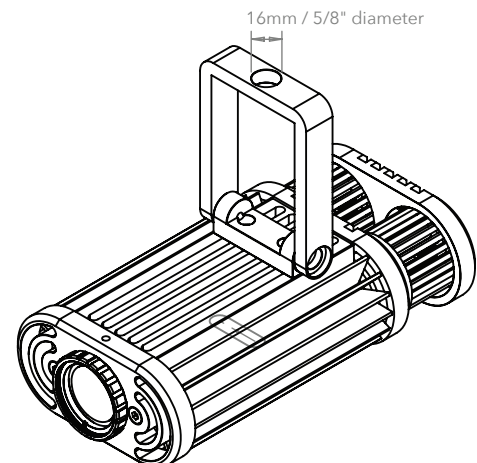
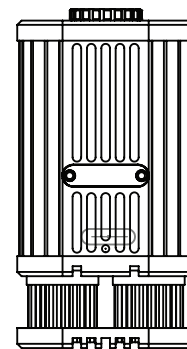
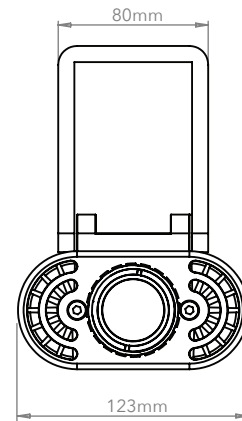
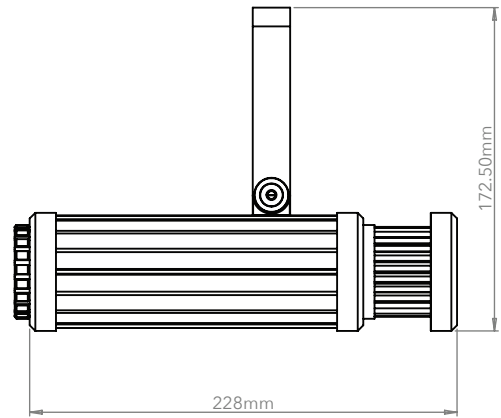
## KEY FEATURES

- A high quality LED array, driven at 75 watts, for bright and long-lasting gobo projections
- 10°, 19°, 25° or 30° beam optics provide superb image uniformity and fringe-free shadows
- IP65 rating allows for indoor or outdoor applications
- External driver accepts universal line voltage input for operation anywhere around the globe
- DMX with RDM, 0-10V, onboard potentiometer and other dimming options available through specifiable external driver
- Passive cooling for silent operation
- Accepts Rosco Image Spot Gobos and Permacolor Dichroic Glass Color Filters

## SPECIFICATIONS

### Luminaire

Input Voltage:	Minimum 39VDC (from external driver)
Power Consumption:	75 Watts at maximum output
Color Temp. Options:	5500K or 3000K
CRI:	5500K Model: 80 3000K Model: 95
Output:	5500K Model: 2900 lumens estimated 3000K Model: 1600 lumens estimated
Lumen Maintenance:	50,000 hours at 45°C (LM-79-08)
Power Connection:	6.5 ft (2m) hybrid data/mains cable (IP65)
Dimming:	Provided through external driver
Dimensions:	Image Spot HO (including yoke): 8.9 in x 4.8 in x 6.8 in (228mm x 123mm x 172.5mm)  Yoke center hole: 5/8" diameter (16mm)
Weight:	Image Spot HO: 4.4lbs (2kg) Image Spot HO with external driver: 5.9lbs (2.7kg)
Operating Temp.:	-13° to 104° F (-25° to 40° C)
Humidity:	0 - 95% non-condensing
Housing:	Anodized Aluminum Extrusion
Approvals:	ETL / UL Standards #62368-1 and #60950-22 cETL / CSA C22.2 #62368-1 and #6095-22  CE  IP65 Rated (outdoor use)



## EXTERNAL DRIVER SPECIFICATIONS

### Image Spot HO Driver, Dimmable, DMX

Power Input:	90-305 VAC
AC Current Input:	0.8A max @ 120Vac & Full Load; 0.4A max @ 220Vac & Full Load
Power factor:	PF_0.98/120VAC, PF_0.97/220VAC, PF_0.92/277VAC (full load)
Output:	1400mA, 32-71VDC
Efficiency:	87%
Dimensions:	5.16 x 2.66 x 1.32" (body) (131 x 67.5 x 33.5mm) 6.22 x 2.66 x 1.32" (endcaps included) (158 x 67.5 x 33.5mm)
Weight:	1.4lbs (.65kg)
Power/Data Connections:	Unterminated leads 12 in. (30cm), Dimming wire 10 in. (26cm)
Approvals:	Compliant with Safety Extra Low Voltage (SELV) standard.
IP rating:	IP67
Dimming range:	10%~100%
Dimming control:	DMX (RDM compatible)
Channels:	1

## EXTERNAL DRIVER SPECIFICATIONS

### 3-in-1, DALI, and Onboard Potentiometer Drivers

Power Input:	100-305 VAC
AC Current Input:	0.7A / 115VAC, 0.45A / 230VAC, 0.38A/277VA
Power factor:	PF_0.97/115VAC, PF_0.95/230VAC, PF_0.92/277VAC (full load)
Output:	1400mA, 27-54VDC
Efficiency:	90%
Dimensions:	7 in x 2.5 in x 1.4 in (180mm x 63mm x 35.5 mm)
Weight:	1.5lbs (.68kg)
Power/Data Connections:	Unterminated leads 12 in. (30cm)
Approvals:	Compliant with Safety Extra Low Voltage (SELV) standard.



### Image Spot HO Driver, Dimmable, 3-in-1

IP rating:	IP65
Dimming range:	8~100%
Dimming control:	0-10VDC - 10V PWM Signal - 10K Resistance

### Image Spot HO Driver, Dimmable, DALI

IP rating:	IP67
Dimming range:	8~100%
Dimming control:	DALI Control Technology
Channels:	1

### Image Spot HO Driver, Dimmable, Onboard Potentiometer

IP rating:	IP65
Dimming range:	8~100%
Dimming control:	Onboard Potentiometer

## Specification Order Codes

UNIT	CCT	Finish	Dimmable Driver	Mounting	Lens
Image Spot HO	3 - 3000K 5 - 5500K O - Custom*	B - Black O - Custom RAL*	X - DMX O - Onboard 3 - 3-in-1 Control** D - DALI	F - Full Yoke L - Floor Mount W - Wall Mount C - Ceiling Mount P - Pole Mount	T - 10 degree 1 - 19 degree 2 - 25 degree 3 - 30 degree N - No Lens

### Example:

ImageSpot HO — 3 — B — 3 — F — T

ie. ImageSpot HO-3B3FT =  
Image Spot HO, 3000K, Black, 3-in-1 Dimmable Driver, Full Yoke, 10 degree Lens

\*Custom color temperature and/or finish are available with minimum order quantity, price difference and longer lead time. For more information please contact [Project.Management@Rosco.com](mailto:Project.Management@Rosco.com)

\*\*3-in-1 Dimmable Driver provides 0-10V, 10V PWM, and resistance dimming control options

Name: \_\_\_\_\_ Date: \_\_\_\_\_

Company Name: \_\_\_\_\_

Project: \_\_\_\_\_

Image Spot® HO Accessories	
Item Code	Description
296 00001 0013	Image Spot OPTI-FLECS Filter Pack
296 00001 0052	Image Spot Lens Cover Kit
296 00001 0012	Image Spot Safety Cable, 3ft (1m)
296 00000 5101	Rosco Pole Mount Accessory - Black
296 00000 5102	Rosco Pole Mount Accessory - White
296 00000 5003	24" Stainless Steel Strap Rosco Pole Mount Kit - 3-Pack
296 00000 5104	Rosco Wall Mount Accessory - Black
296 00000 5105	Rosco Wall Mount Accessory - White

## Image Spot Gobos & Permacolor Filters

For optimum image quality and performance, use Rosco Image Spot Gobos and Permacolor Filters, which feature custom bezels enable a secure fit inside the Image Spot gobo cassette.

Image Spot® HO Gobos	
Item Code	Description
<b>Standard Gobos</b>	
XXXXX-SPOT	Image Spot Standard Gobo XXXXX = The five digit standard gobo number
<b>Custom Gobos</b>	
250 72101 SPOT	Image Spot Custom Steel Gobo
260 CUSBW OSPO	Image Spot Custom B&W Glass Gobo
260 CUS1C OSPO	Image Spot Custom One-Color Glass Gobo
260 CUS2C OSPO	Image Spot Custom Two-Color Glass Gobo
260 CUSMC OSPO	Image Spot Custom Multi-Color Glass Gobo

Permacolor™ Dichroic Filters	
Item Code	Description
XXXXX-SPOT	Image Spot Permacolor Dichroic Glass Filter XXXX = the four digit color number (includes bezel to fit inside gobo cassette)

### PHOTOMETRIC DATA FOR 3000K 10°

Mounting Height		Cone of Light Tabulation		LUX	Footcandles at Nadir	Diameter	
Feet	Meters					Feet	Meters
4.00	1.2			14672	1363	0.574	.2
6.00	1.8			6521	605	0.869	.3
8.00	2.4			3668	340	1.148	.35
10.00	3.0			2437	218	1.444	.4
12.00	3.6			1630	151	1.722	.5
14.00	4.2			1197	111	2.018	.6
16.00	4.8			917	85	2.313	.7

### PHOTOMETRIC DATA FOR 5500K 10°

Mounting Height		Cone of Light Tabulation		LUX	Footcandles at Nadir	Diameter	
Feet	Meters					Feet	Meters
4.00	1.2			24920	2315	.574	.2
6.00	1.8			11076	1029	.869	.3
8.00	2.4			6230	579	1.148	.35
10.00	3.0			3987	370	1.444	.4
12.00	3.6			2769	257	1.722	.5
14.00	4.2			2034	189	2.018	.6
16.00	4.8			1557	145	2.313	.7

### PHOTOMETRIC DATA FOR 3000K 19°

Mounting Height		Cone of Light Tabulation		LUX	Footcandles at Nadir	Diameter	
Feet	Meters					Feet	Meters
4.00	1.2			4722	439	1.263	.4
6.00	1.8			2099	195	1.903	.6
8.00	2.4			1181	110	2.543	.8
10.00	3.0			755	70	3.182	1
12.00	3.6			524	49	3.806	1.2
14.00	4.2			385	36	4.445	1.4
16.00	4.8			295	27	5.085	1.6

### PHOTOMETRIC DATA FOR 5500K 19°

Mounting Height		Cone of Light Tabulation		LUX	Footcandles at Nadir	Diameter	
Feet	Meters					Feet	Meters
4.00	1.2			8020	745	1.263	.4
6.00	1.8			3564	331	1.903	.6
8.00	2.4			2005	186	2.543	.8
10.00	3.0			1283	119	3.182	1
12.00	3.6			891	83	3.806	1.2
14.00	4.2			655	61	4.445	1.4
16.00	4.8			501	47	5.085	1.6

### PHOTOMETRIC DATA FOR 3000K 25°

Mounting Height		Cone of Light Tabulation		LUX	Footcandles at Nadir	Diameter	
Feet	Meters					Feet	Meters
4.00	1.2			2505	232	1.838	.6
6.00	1.8			1113	103	2.772	.8
8.00	2.4			626	58	3.674	1.1
10.00	3.0			401	37	4.610	1.4
12.00	3.6			278	26	5.512	1.6
14.00	4.2			204	19	6.447	1.7
16.00	4.8			157	14	7.365	2

### PHOTOMETRIC DATA FOR 5500K 25°

Mounting Height		Cone of Light Tabulation		LUX	Footcandles at Nadir	Diameter	
Feet	Meters					Feet	Meters
4.00	1.2			4253	395	1.837	.6
6.00	1.8			1890	176	2.772	.8
8.00	2.4			1063	99	3.674	1.1
10.00	3.0			680	63	4.610	1.4
12.00	3.6			473	44	5.512	1.7
14.00	4.2			347	32	6.447	2
16.00	4.8			266	25	7.365	2.2

### PHOTOMETRIC DATA FOR 3000K 30°

Mounting Height		Cone of Light Tabulation		LUX	Footcandles at Nadir	Diameter	
Feet	Meters					Feet	Meters
4.00	1.2			1731	161	1.985	.6
6.00	1.8			769	71	2.969	.9
8.00	2.4			433	40	3.953	1.2
10.00	3.0			277	26	4.938	1.5
12.00	3.6			192	18	5.938	1.8
14.00	4.2			141	13	6.923	2.1
16.00	4.8			108	10	7.907	2.4

### PHOTOMETRIC DATA FOR 5500K 30°

Mounting Height		Cone of Light Tabulation		LUX	Footcandles at Nadir	Diameter	
Feet	Meters					Feet	Meters
4.00	1.2			2940	273	1.985	.6
6.00	1.8			1307	121	2.969	.9
8.00	2.4			735	68	3.953	1.2
10.00	3.0			470	44	4.938	1.5
12.00	3.6			327	30	5.938	1.8
14.00	4.2			240	22	6.923	2
16.00	4.8			184	17	7.907	2.4